

1SP0635x2xx-33

Preliminary Data Sheet

Compact, high-performance, plug-and-play single-channel IGBT driver based on SCALE-2 technology for individual and parallel-connected modules in 2-level, 3-level and multilevel converter topologies

Abstract

The SCALE-2 plug-and-play driver 1SP0635x2xx-33 is a compact single-channel intelligent gate driver designed for 3300V 130x140mm and 190x140mm IGBT modules. The master driver 1SP0635x2Mx-33 features a fiber-optic interface with a built-in isolated DC/DC power supply. It can be used as stand-alone driver or in conjunction with up to three 1SP0635D2Sx-33 slaves to drive up to four parallel-connected IGBT modules.

The turn-on and turn-off gate resistors as well as the auxiliary gate capacitor are not assembled in order to provide maximum flexibility. They must be assembled by the user before start of operation. Please refer to the paragraph on "Gate Resistor Assembly" for the recommended values.

For drivers adapted to other types of high-power and high-voltage IGBT modules, refer to:

www.IGBT-Driver.com/go/plug-and-play

Features

- ✓ Plug-and-play solution
- ✓ Allows parallel connection of IGBT modules
- ✓ For 2-level, 3-level and multilevel topologies
- ✓ Built-in isolated DC/DC power supply (master)
- ✓ Fiber-optic links (master)
- ✓ Built-in interface to 1SP0635D2Sx (slave)
- ✓ Duty cycle 0...100%
- ✓ Dynamic Advanced Active Clamping DA²C
- ✓ Dynamic IGBT short-circuit protection
- ✓ Monitoring of supply voltage
- ✓ Monitoring of gate voltage
- ✓ Extremely reliable; long service life
- ✓ Shortens application development time
- ✓ Suitable for 3300V 130x140mm and 190x140mm IGBT modules

Applications

- ✓ Traction
- ✓ Railroad power supplies
- ✓ Light rail vehicles
- ✓ HVDC
- ✓ Flexible AC transmission systems (FACTS)
- ✓ Medium-voltage converters
- ✓ Industrial drives
- ✓ Wind-power converters
- ✓ Medical applications
- ✓ Research
- ✓ And many others

Preliminary Data Sheet

Safety Notice!

The data contained in this data sheet is intended exclusively for technically trained staff. Handling all high-voltage equipment involves risk to life. Strict compliance with the respective safety regulations is mandatory!

Any handling of electronic devices is subject to the general specifications for protecting electrostatic-sensitive devices according to international standard IEC 60747-1, Chapter IX or European standard EN 100015 (i.e. the workplace, tools, etc. must comply with these standards). Otherwise, this product may be damaged.

Important Product Documentation

This data sheet contains only product-specific data. For a detailed description, must-read application notes and common data that apply to the whole series, please refer to the "Description & Application Manual for 1SP0635 SCALE-2 IGBT Drivers" on www.IGBT-Driver.com/go/1SP0635.

The gate resistors as well as the auxiliary gate capacitor on this gate driver are not assembled in order to provide maximum flexibility. For the values required for specific IGBT modules, refer to the paragraph on "Gate Resistor Assembly". Use of gate resistors and gate auxiliary capacitors other than those specified may result in failure.

Mechanical Dimensions

Dimensions: See the relevant "Description and Application Manual"

Mounting principle: Connected to IGBT module with screws

Fiber-Optic Interfaces (1SP0635x2Mx)

| Interface | Remarks | Part type # |
|--------------------|--|-------------|
| Drive signal input | 1SP0635V, fiber-optic receiver (Notes 1, 2) | HFBR-2522Z |
| Drive signal input | 1SP0635S, fiber-optic receiver (Notes 1, 2) | HFBR-2412Z |
| Status output | 1SP0635V, fiber-optic transmitter (Notes 1, 3) | HFBR-1522Z |
| Status output | 1SP0635S, fiber-optic transmitter (Notes 1, 3) | HFBR-1412Z |

Electrical Connectors

| Interface | Remarks | Part type # |
|---------------------------|--|-------------|
| Power supply connector X1 | 1SP0635x2Mx, on-board connector (Note 4) | 214012 |
| Bus connectors X2 and X3 | On-board connectors (Note 5) | 214013 |

Preliminary Data Sheet

Absolute Maximum Ratings

| Parameter | Remarks | Min | Max | Unit |
|---------------------------------|---|-----|------|-------------------|
| Supply voltage V_{DC} | VDC to GND (1SP0635x2Mx) | 0 | 16 | V |
| Average supply current I_{DC} | 1SP0635x2Mx only (Note 6) | | 400 | mA |
| Average supply current I_{DC} | 1SP0635x2Mx with three 1SP0635D2Sx (Note 6) | | 1130 | mA |
| Gate output power | 1SP0635x2Mx, $T_a < 70^\circ\text{C}$ (Note 7) | | 3 | W |
| | 1SP0635x2Mx, $T_a = 85^\circ\text{C}$ (Note 7) | | 2.2 | W |
| Gate output power | 1SP0635D2Sx, $T_a < 70^\circ\text{C}$ (Note 8) | | 2.6 | W |
| | 1SP0635D2Sx, $T_a = 85^\circ\text{C}$ (Note 8) | | 2 | W |
| Switching frequency F | 1SP0635x2Mx, $T_a < 70^\circ\text{C}$ (Note 31) | | n.d. | kHz |
| | 1SP0635x2Mx, $T_a = 85^\circ\text{C}$ (Note 31) | | n.d. | kHz |
| Switching frequency F | 1SP0635D2Sx, $T_a < 70^\circ\text{C}$ (Note 31) | | n.d. | kHz |
| | 1SP0635D2Sx, $T_a = 85^\circ\text{C}$ (Note 31) | | n.d. | kHz |
| Gate peak current I_{out} | Note 9 | -35 | +35 | A |
| Test voltage (50Hz/1min.) | 1SP0635x2Mx, primary to secondary (Note 10) | | 6000 | $V_{AC(eff)}$ |
| DC-link voltage | Switching operation (Note 11) | | 2200 | V |
| | Off state (Note 12) | | 2700 | V |
| Operating voltage | Primary to secondary side | | 3300 | V_{peak} |
| Max. emitter-emitter voltage | Between parallel connected drivers (Note 13) | | 200 | V_{peak} |
| dV/dt | Between parallel connected drivers (Note 14) | | 50 | kV/ μs |
| Max. interface current | X2 and X3, total RMS value (Note 15) | | 4 | A_{rms} |
| | X2 and X3, total peak value (Note 15) | | 20 | A_{peak} |
| Operating temperature | | -40 | +85 | $^\circ\text{C}$ |
| Storage temperature | | -40 | +90 | $^\circ\text{C}$ |

Recommended Operating Conditions

| Power Supply | Remarks | Min | Typ | Max | Unit |
|-------------------------|---------|------|-----|------|------|
| Supply voltage V_{DC} | To GND | 14.5 | 15 | 15.5 | V |

Preliminary Data Sheet

Electrical Characteristics

All data refer to +25°C and $V_{DC} = 15V$ unless otherwise specified

| Power Supply | Remarks | Min | Typ | Max | Unit |
|--|--|------|------|------|------|
| Supply current I_{DC} | Without load, only 1SP0635x2Mx | | 120 | | mA |
| | Without load, per additional 1SP0635D2Sx | | 35 | | mA |
| Coupling capacitance C_{io} | 1SP0635x2Mx, DC/DC converter | | 15 | | pF |
| Power Supply Monitoring | Remarks | Min | Typ | Max | Unit |
| Supply threshold $V_{iso}-V_{ee}$ | Secondary side, clear fault | 12.1 | 12.6 | 13.1 | V |
| | Secondary side, set fault (Note 16) | 11.5 | 12.0 | 12.5 | V |
| Monitoring hysteresis | Secondary side, set/clear fault | 0.35 | | | V |
| Supply threshold $V_{ee}-V_{COM}$ | Secondary side, clear fault | 5 | 5.15 | 5.3 | V |
| | Secondary side, set fault (Note 16) | 4.7 | 4.85 | 5 | V |
| Monitoring hysteresis | Secondary side, set/clear fault | 0.15 | | | V |
| Bus to 1SP0635D2Sx | Remarks | Min | Typ | Max | Unit |
| Supply voltage | Without load | | 25 | | V |
| | With three slaves, full load | | 24 | | V |
| Turn-off command | To COM | | 0 | | V |
| Turn-on command | To COM | | 15 | | V |
| Gate Monitoring | Remarks | Min | Typ | Max | Unit |
| Turn-on threshold $V_{GE,on,min}$ | G_{mean} to E, set fault (Note 17) | | 12.9 | | V |
| Turn-off threshold $V_{GE,off,max}$ | G_{mean} to E, set fault (Note 17) | | -7.6 | | V |
| Filter delay | Note 17 | | 28 | | µs |
| Short-circuit Protection | Remarks | Min | Typ | Max | Unit |
| Static Vce-monitoring threshold Response time | Between auxiliary terminals (Note 18) | | 143 | | V |
| | DC-link voltage = 2200V (Note 19) | | 5.9 | | µs |
| | DC-link voltage = 1500V (Note 19) | | 6.0 | | µs |
| | DC-link voltage = 1100V (Note 19) | | 6.2 | | µs |
| | DC-link voltage = 800V (Note 19) | | 8.3 | | µs |
| Delay to IGBT turn-off | After the response time (Note 20) | | 0.3 | | µs |
| Timing Characteristics | Remarks | Min | Typ | Max | Unit |
| Turn-on delay $t_{d(on)}$ | Note 21 | | 190 | | ns |
| Turn-off delay $t_{d(off)}$ | Note 21 | | 185 | | ns |

Preliminary Data Sheet

| Timing Characteristics | Remarks | Min | Typ | Max | Unit |
|-------------------------------------|--|------|---------------|------|---------------|
| Output rise time $t_{r(out)}$ | G to E (Note 22) | | 9 | | ns |
| Output fall time $t_{f(out)}$ | G to E (Note 22) | | 30 | | ns |
| Timing Characteristics | Remarks | Min | Typ | Max | Unit |
| Transmission delay of fault state | Note 23 | | 90 | | ns |
| Delay to clear fault state | After IGBT short circuit (Note 24) | | 9 | | μ s |
| | After gate-monitoring fault (Notes 24, 30) | | 1 | | μ s |
| Acknowledge delay time | Note 25 | | 250 | | ns |
| Acknowledge pulse width | On host side | 400 | 700 | 1050 | ns |
| Gate Output | Remarks | Min | Typ | Max | Unit |
| Turn-on gate resistor $R_{g(on)}$ | Note 26 | | not assembled | | Ω |
| Turn-off gate resistor $R_{g(off)}$ | Note 26 | | not assembled | | Ω |
| Auxiliary gate capacitor C_{ge} | Note 26 | | not assembled | | nF |
| Gate voltage at turn-on | Note 27 | | 15 | | V |
| Gate-voltage at turn-off | Without load (Note 27) | | -10.1 | | V |
| | $P_{DC/DC} = 3W$ (Note 27) | | -9.8 | | V |
| | $P_{DC/DC} = 6W$ (Note 27) | | -9.5 | | V |
| | $P_{DC/DC} = 12W$ (Note 27) | | -9 | | V |
| Electrical Isolation | Remarks | Min | Typ | Max | Unit |
| Test voltage (50Hz/1s) | Primary to secondary side (Note 10) | 6000 | 6050 | 6100 | $V_{AC(eff)}$ |
| Partial discharge extinction volt. | Primary to secondary side (Note 28) | 3630 | | | V_{peak} |
| Creepage distance | Primary to secondary side (Note 29) | 21 | | | mm |
| | Primary to IGBT main emitter terminal | 20 | | | mm |
| Clearance distance | Primary to secondary side (Note 29) | 21 | | | mm |
| | Primary to IGBT main emitter terminal | 13 | | | mm |

Footnotes to the Key Data

- 1) The transceivers required on the host controller side are not supplied with the gate driver. It is recommended to use the same types as used in the gate driver. For product information refer to www.IGBT-Driver.com/go/fiberoptics
- 2) The recommended transmitter current at the host controller is 20mA. A higher current may increase jitter or delay at turn-off.
- 3) The typical transmitter current at the gate driver is 18mA. In case of supply undervoltage, the minimum transmitter current at the gate driver is 12mA: this is suitable for adequate plastic optical fibers with a length of more than 10 meters.
- 4) This refers to the manufacturer ordering number, see www.igbt-driver.com/go/ext_erni. The customer-side connector as well as cables with different lengths can be supplied by CONCEPT. Refer to the "Description & Application Manual for 1SP0635 SCALE-2 IGBT Drivers" for more information.
- 5) This refers to the manufacturer ordering number, see www.igbt-driver.com/go/ext_erni. These connectors are to be used to connect 1SP0635x2Mx (master) or 1SP0635D2Sx (slave) to 1SP0635D2Sx (slave) if parallel connection of IGBT modules is required. Cables with different lengths

Preliminary Data Sheet

- can be supplied by CONCEPT. Refer to the "Description & Application Manual for 1SP0635 SCALE-2 IGBT Drivers" for more information.
- 6) If the specified value is exceeded, this indicates a driver overload. It should be noted that the driver is not protected against overload.
 - 7) The given power can only be fully exploited without slaves 1SP0635D2Sx (no parallel connection of IGBT modules). If the specified value is exceeded, this indicates a driver overload. It should be noted that the driver is not protected against overload. From 70°C to 85°C, the maximum permissible output power can be linearly interpolated from the given data.
 - 8) The given power can be fully exploited with slaves 1SP0635D2Sx (parallel connection of IGBT modules). If the specified value is exceeded, this indicates a driver overload. It should be noted that the driver is not protected against overload. From 70°C to 85°C, the maximum permissible output power can be linearly interpolated from the given data. Note that the DC/DC converter on the master 1SP0635x2Mx is dimensioned to supply the master as well as three connected slaves 1SP0635D2Sx at full load.
 - 9) The gate current is limited by the gate resistors located on the driver.
 - 10) HiPot testing (= dielectric testing) must generally be restricted to suitable components. This gate driver is suited for HiPot testing. Nevertheless, it is strongly recommended to limit the testing time to 1s slots. Excessive HiPot testing may lead to insulation degradation.
 - 11) This limit is due to active clamping under switching conditions. Refer to the "Description & Application Manual for 1SP0635 SCALE-2 IGBT Drivers".
 - 12) Due to the Dynamic Active Advanced Clamping Function (DA²C) implemented on the driver, the DC-link voltage can be increased in the off-state condition (e.g. after emergency shut-down). This value is only valid when the IGBTs are in the off state (not switching). The time during which the voltage can be applied should be limited to short periods (< 60 seconds). Refer to the "Description & Application Manual for 1SP0635 SCALE-2 IGBT Drivers".
 - 13) The maximum dynamic voltage between auxiliary emitters of parallel-connected drivers due to asymmetrical operation at turn-on and turn-off must be limited to the given value.
 - 14) Maximum allowed rate of change of auxiliary emitter voltage of parallel connected drivers. This specification guarantees that the drive information will be transferred reliably even with high rate of change of auxiliary emitter voltages (asymmetrical operation).
 - 15) Dynamic voltages between auxiliary emitters of parallel connected drivers at turn-on and turn-off lead to equalizing currents over the X2 or X3 bus. The peak and RMS values of the resulting current must be limited to the given value.
 - 16) Undervoltage monitoring of the secondary-side supply voltage (Viso to Vee and Vee to COM which correspond with the approximate turn-on and turn-off gate-emitter voltages). If the corresponding voltage drops below this limit on 1SP0635x2Mx (masters), all paralleled IGBTs (master and slaves) are switched off and a fault is transmitted to the status output. If the corresponding voltage drops below this limit on 1SP0635D2Sx (slaves), the corresponding IGBT is switched off. A fault will be generated by the gate-monitoring function on the master which will turn off all paralleled IGBTs after the corresponding delay.
 - 17) The mean value $V_{GE,mean}$ of all gate voltages (master and all slaves) is filtered and compared to the given values at turn-on and turn-off. If the specified values are exceeded ($V_{GE,mean} < V_{GE,on,min}$ at turn-on resp. $V_{GE,mean} > V_{GE,off,max}$ at turn-off) after the given filter delay, the driver turns off all parallel-connected IGBTs and a fault is transmitted to the status output.
 - 18) A dynamic Vce protection is implemented on the driver. The maximum allowed Vce voltage at turn-on is dynamically adjusted in order to better fit the IGBT characteristics at turn-on. At the end of the turn-on process, the given static value applies.
 - 19) The resulting pulse width of the direct output of the gate drive unit for short-circuit type I (excluding the delay of the gate resistors) is the sum of the response time plus the delay to IGBT turn-off.
 - 20) The turn-off event of the IGBT is delayed by the specified time after the response time.
 - 21) Including the delay of the external fiber-optic links (cable length: 1m). Measured from the transition of the turn-on or turn-off command at the optical transmitter on the host controller side to the direct output of the gate drive unit (excluding the delay of the gate resistors).
 - 22) Output rise and fall times are measured between 10% and 90% of the nominal output swing. The values are given for the driver side of the gate resistors with 2Ω/1μF load. The time constant of the

Preliminary Data Sheet

- output load in conjunction with the present gate resistors leads to an additional delay at their load side.
- 23) Delay of external fiber-optic links. Measured from the driver secondary side (ASIC output) to the optical receiver on the host controller.
 - 24) Measured on the host side. The fault status on the secondary side is automatically reset after the specified time.
 - 25) Including the delay of the external fiber-optic links. Measured from the transition of the turn-on or turn-off command at the optical transmitter on the host controller side to the transition of the acknowledge signal at the optical receiver on the host controller side.
 - 26) The gate resistors and the auxiliary gate capacitor are not assembled on this IGBT gate driver. They must be assembled by the user according to the paragraph on "Gate Resistor Assembly".
 - 27) The driver secondary side voltage is split into two distinct voltages on the driver. The first one is the turn-on voltage which is regulated at about 15V. The difference between the total secondary side voltage and the turn-on voltage is the turn-off voltage which is not regulated and mainly dependent on the driver input voltage VDC and the DC/DC converter power.
 - 28) Partial discharge measurement is performed in accordance with IEC 60270.
 - 29) Clearance and creepage distances are designed according to IEC 60077-1. Refer to the "Description & Application Manual for 1SP0635 SCALE-2 IGBT Drivers" for more information.
 - 30) The fault status is set as long as the gate monitoring fault is present. The given value applies if the driver goes from the "off state" to the "on state" and the gate-emitter voltage of one or more parallel connected drivers does not turn on. If the driver goes from the "on state" to the "off state" and the gate-emitter voltage of one or more parallel connected drivers does not turn off, the fault status is applied as long as the gate monitoring fault is present.
 - 31) The maximum switching frequency is not defined, as it depends on the IGBT module used. Please consult the corresponding driver data sheet for more information.

Preliminary Data Sheet

Gate Resistor and Auxiliary Gate Capacitor Assembly

The turn-on and turn-off gate resistors as well as the auxiliary gate capacitor of 1SP0635x2xx drivers are adapted to their respective IGBT modules.

Recommended gate resistors (R168, R169, R178 and R179): PR02 / 2W / 5% from Vishay.

Recommended auxiliary gate capacitor (C105): 1206 / X7R / 25V / 5%

The following versions exist:

| 3300V IGBT Type | R178/ R179 | R168/ R169 | Resulting Rg,on | Resulting Rg,off | C105 |
|-----------------------------------|-----------------------|-----------------------|----------------------------|-----------------------------|---------------|
| 5SNA0800N330100 | 4.7Ω | 6.8Ω | 2.35Ω | 3.4Ω | not assembled |
| DIM800NSM33-F000 TIM800NSM33 | 5.6Ω | 18Ω | 2.8Ω | 9Ω | 220nF |
| 1MBI800UG-330 | 5.1Ω | 7.5Ω | 2.55Ω | 3.75Ω | not assembled |
| CM800HC-66H | 7.5Ω | 7.5Ω | 3.75Ω | 3.75Ω | 330nF |
| FZ1000R33HE3 | 1.5Ω | 6.8Ω | 0.75Ω | 3.4Ω | 220nF |
| FZ1000R33HL3 | 1.5Ω | 12Ω | 0.75Ω | 6Ω | 220nF |
| CM1000HC-66R | 5.1Ω | 18Ω | 2.55Ω | 9 Ω | not assembled |
| 5SNA1200E330100 | 3Ω | 4.7Ω | 1.5 Ω | 2.35Ω | not assembled |
| DIM1200ESM33-F000 TIM1200ESM33 | 3.3Ω | 10Ω | 1.65Ω | 5Ω | 330nF |
| 1MBI1200UE-330 | 3.3Ω | 4.7Ω | 1.65Ω | 2.35Ω | not assembled |
| FZ1200R33KF2C | 1.8Ω | 3.6Ω | 0.9Ω | 1.8Ω | 220nF |
| FZ1200R33HE3 | 1.3Ω | 6.8Ω | 0.65Ω | 3.4Ω | 220nF |
| CM1200HC-66H | 3.9Ω | 5.1Ω | 1.95Ω | 2.55Ω | 330nF |
| 5SNA1500E330300 | 2Ω | 4.7Ω | 1Ω | 2.35Ω | 220nF |
| 5SNA1500E330305 | 2Ω | 5.6Ω | 1Ω | 2.8Ω | 330nF |
| 1MBI1500UE-330 | 3.3Ω | 4.3Ω | 1.65Ω | 2.15Ω | not assembled |
| MBN1500E33E2 | 5.6Ω | 8.2Ω | 2.8Ω | 4.1Ω | 330nF |
| FZ1500R33HE3 | 1Ω | 4.7Ω | 0.5Ω | 2.35Ω | 330nF |
| FZ1500R33HL3 | 1Ω | 6.8Ω | 0.5Ω | 3.4Ω | 330nF |
| CM1500HC-66R | 3.3Ω | 16Ω | 1.65Ω | 8Ω | not assembled |

For the component position, refer to Figs. 1 and 2.

Preliminary Data Sheet

Assembly Drawing

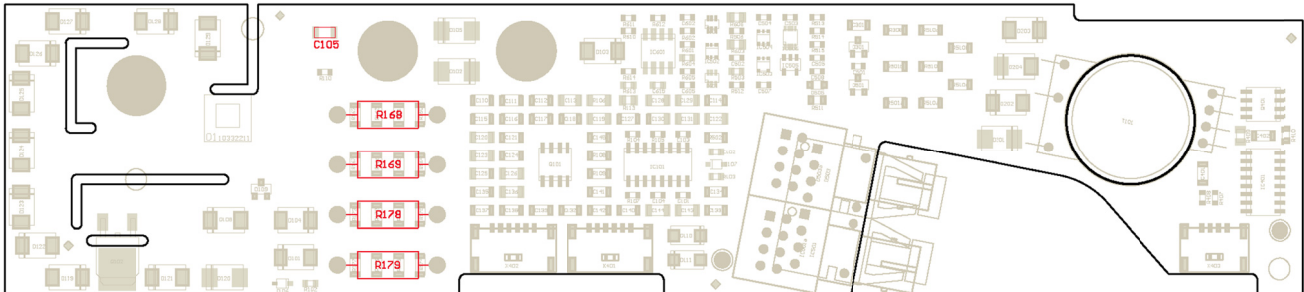


Fig. 1: Assembly drawing of 1SP0635x2Mx with highlighted gate resistors

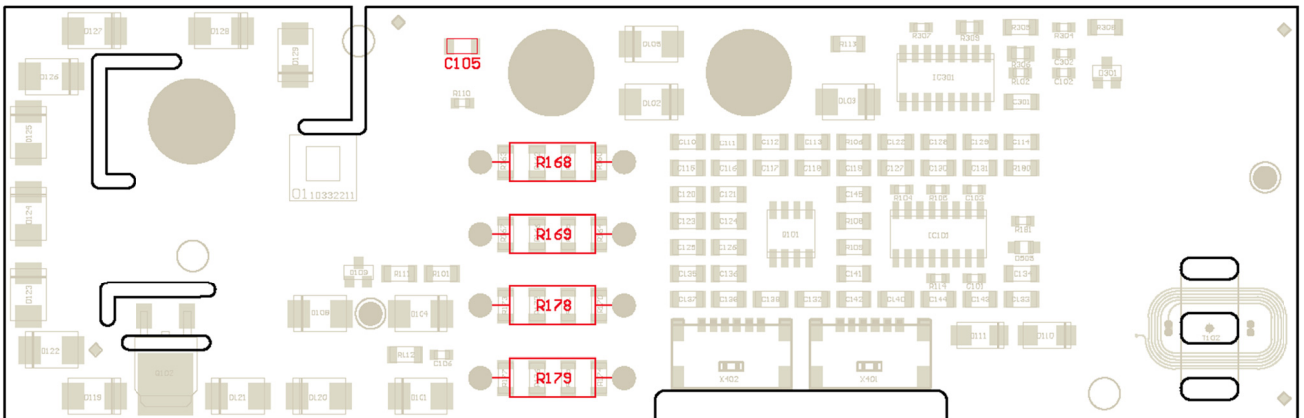


Fig. 2: Assembly drawing of 1SP0635D2Sx with highlighted gate resistors

Note that the wires of the gate resistors should not project more than 1.6mm after soldering (excess length at bottom side). Furthermore, a minimum distance of 1mm must be maintained between the gate resistor body and the PCB.

Legal Disclaimer

This data sheet specifies devices but cannot promise to deliver any specific characteristics. No warranty or guarantee is given – either expressly or implicitly – regarding delivery, performance or suitability.

CT-Concept Technologie AG reserves the right to make modifications to its technical data and product specifications at any time without prior notice. The general terms and conditions of delivery of CT-Concept Technologie AG apply.

Preliminary Data Sheet

Ordering Information

The general terms and conditions of delivery of CT-Concept Technologie AG apply.

| Interface | CONCEPT Driver Type # | Related IGBT |
|---|-----------------------|--------------------|
| Master, Fiber-Optic Interface ¹⁾ | 1SP0635V2M1-33 | 3300V IGBT modules |
| Master, Fiber-Optic Interface ²⁾ | 1SP0635S2M1-33 | 3300V IGBT modules |
| Slave, Electrical Interface | 1SP0635D2S1-33 | 3300V IGBT modules |

- 1) Fiber-optic interface with versatile link (HFBR-2522Z and HFBR-1522Z)
 2) Fiber-optic interface with ST (HFBR-2412Z and HFBR-1412Z)
 See "Description & Application Manual for 1SP0635 SCALE-2 IGBT Drivers"

Product home page: www.IGBT-Driver.com/go/1SP0635

Refer to www.IGBT-Driver.com/go/nomenclature for information on driver nomenclature

Information about Other Products

For other drivers, evaluation systems, product documentation and application support

Please click onto: www.IGBT-Driver.com

Manufacturer

CT-Concept Technologie AG
 A Power Integrations Company
 Johann-Renfer-Strasse 15
 2504 Biel-Bienne
 Switzerland

Phone +41 - 32 - 344 47 47
 Fax +41 - 32 - 344 47 40

E-mail Info@IGBT-Driver.com
 Internet www.IGBT-Driver.com

© 2010...2013 CT-Concept Technologie AG - Switzerland.
 We reserve the right to make any technical modifications without prior notice.

All rights reserved.
 Version 2.0 from 2013-03-21