

## Ultra Fast and Soft Type Dual Fast Recovery Diode

### Description

DAWIN'S ultra-FRD 6DM-2 Package devices are optimized to reduce losses and EMI/RFI in high frequency power conditioning electrical systems. These diode modules are ideally suited for power converters, motors drives and other applications where switching losses are significant portion of the total losses.

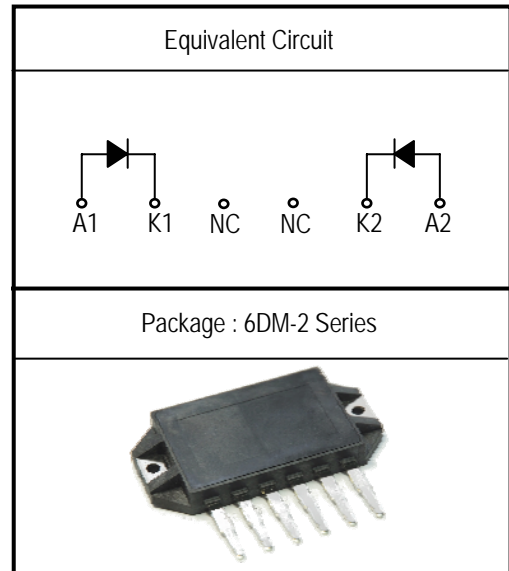
### Features

- ☞ Repetitive Reverse Voltage :  $V_{RRM} = 400V$
- ☞ Low Forward Voltage Drop :  $V_F(\text{typ.}) = 1.05V$
- ☞ Average Forward Current :  $I_F(\text{AV.}) = 100A$  @  $T_c = 85^\circ C$
- ☞ Ultra-Fast Reverse Recovery Time :  $t_{rr}(\text{typ.}) = 90 \text{ ns}$
- ☞ Extensive Characterization of Recovery Parameters
- ☞ Reduced EMI and RFI
- ☞ Isolation Type Package

### Applications

Motor Drives, Free wheel use, High Power Converters, Welders, Various Switching and Telecommunication Power Supply, High Power SMPS.

### Equivalent Circuit and Package



Please see the package Out line information

### Absolute Maximum Ratings @ $T_j=25^\circ C$ (Per Leg)

Symbol	Parameter	Conditions	Ratings	Unit
$V_{RRM}$	Repetitive Peak Reverse Voltage		400	V
$V_{R(DC)}$	Reverse DC Voltage		320	V
$I_{F(AV)}$	Average Forward Current	@ $T_c = 25^\circ C$ @ $T_c = 85^\circ C$	200 100	A A
$I_{FSM}$	Surge(non-repetitive) Forward Current	One Half Cycle at 60Hz, Peak Value	1750	A
$I_t^2$	$I^2t$ for Fusing	Value for One Cycle Current, $t_w = 8.3ms, T_j = 25^\circ C$ Start	$16.7 * 10^3$	$A^2s$
$T_j$	Junction Temperature		-40 ~ 150	$^\circ C$
$T_{stg}$	Storage Temperature		-40 ~ 125	$^\circ C$
$V_{isol}$	Isolation Voltage	@ AC 1 minutes	2500	V
$P_d$	Maximum Power Dissipation	$T_c = 25^\circ C$	350	W
TL	Maximum Lead Temp. for soldering Purposes, 1/8" from case for 9 seconds	-	260	$^\circ C$
	Mounting screw Torque :M3	-	4.0	N.m
	Weight	-	30	g

### Thermal Characteristics

Symbol	Parameter	Conditions	Values			Unit
			Min.	Typ.	Max.	
$R_{th(j-c)}$	Thermal Resistance	Junction to Case	-	-	0.35	°C/W

### Electrical Characteristics @ $T_j=25^\circ\text{C}$ (unless otherwise specified)

Symbol	Parameter	Conditions	Values			Unit	
			Min.	Typ.	Max.		
$V_R$	Cathode Anode Breakdown Voltage	$I_R = 100\mu\text{A}$	400	-	-	V	
$V_{FM}$	Maximum Forward Voltage	$I_{FM} = 100\text{A}, T_C = 25^\circ\text{C}$	-	1.05	1.3	V	
		$I_{FM} = 100\text{A}, T_C = 100^\circ\text{C}$	-	0.95	1.1	V	
$I_{RRM}$	Repetitive Peak Reverse Current	$T_C = 100^\circ\text{C}, V_{RRM}$ applied	-	-	1.0	mA	
$T_{rr}$	Reverse Recovery Time	$I_{FM} = 100\text{A}, V_R = 200\text{V}, di/dt = -100\text{A}/\mu\text{s}$	$T_C = 25^\circ\text{C}$	-	90	120	ns
			$T_C = 100^\circ\text{C}$	-	120	-	ns

## Performance Curves

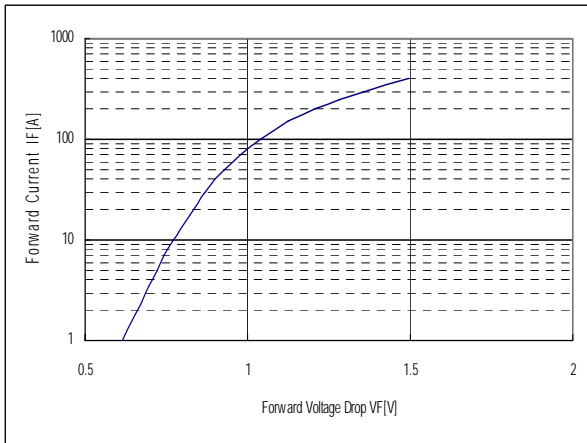


Fig. 1 : Typical Forward Voltage Drop vs. Instantaneous Forward Current

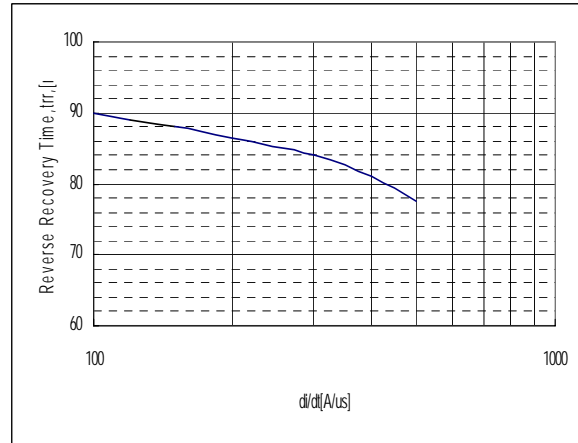


Fig. 2 : Typical Reverse Recovery Time vs.  $-di/dt$

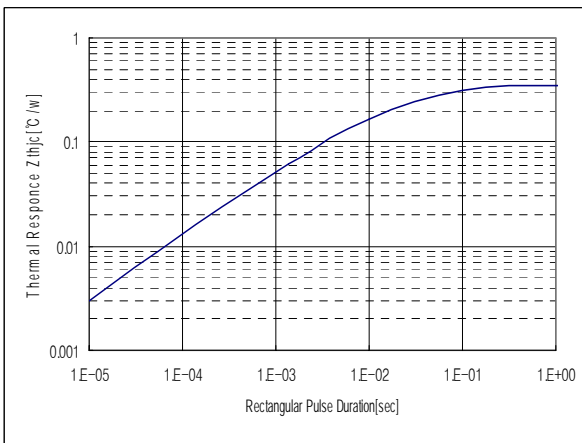


Fig. 3 : Transient Thermal Impedance ( $Z_{thjc}$ ) Characteristics

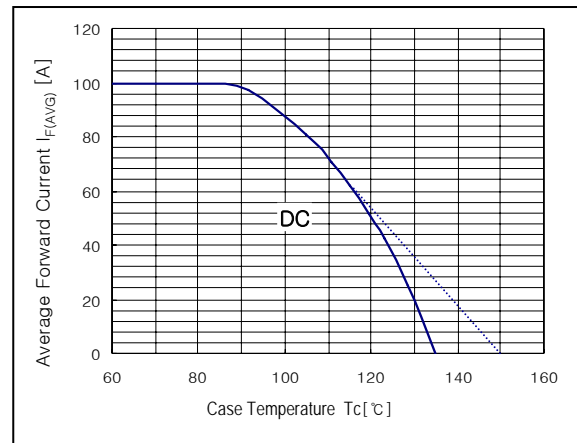
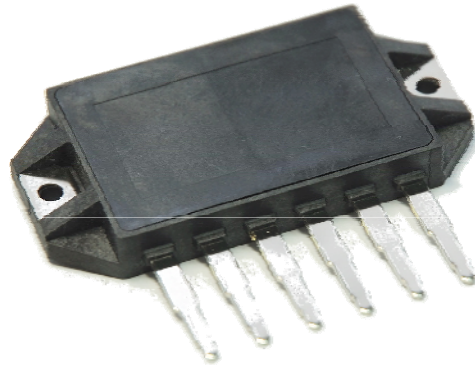


Fig. 4 : Forward Current Derating Curve

Package Out Line Information

6DM-2



Dimensions in mm

